

AS85049/33

BACKSHELL, NONENVIRONMENTAL, STRAIGHT, SHIELDED TERMINATION

(FOR MIL-DTL-38999 SERIES I AND II CONNECTORS)

PART NUMBER DEVELOPMENT

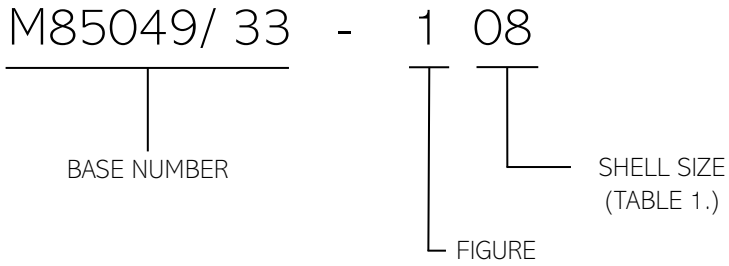
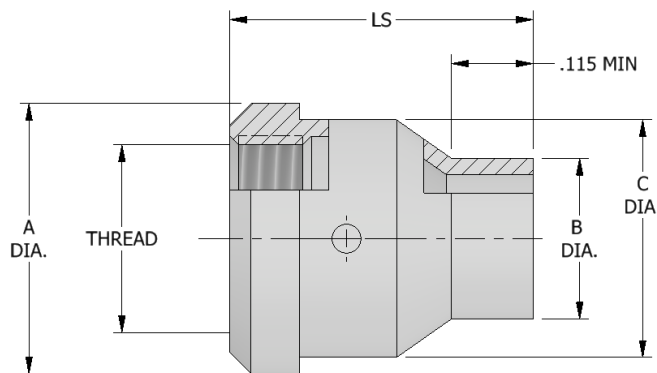


TABLE 1. SHELL SIZE AND DIMENSIONS

| ADAP. SHELL SIZE | A MAX DIA. | B MAX DIA. | C MAX DIA. | LS MAX | THREAD UNEF CLASS 2B |
|------------------|---------------|--------------|---------------|---------------|----------------------|
| 8 | .594 (15.09) | .359 (9.12) | .516 (13.11) | .844 (21.44) | 7/16-28 |
| 10 | .719 (18.26) | .406 (10.31) | .641 (16.28) | .969 (24.61) | 9/16-24 |
| 12 | .844 (21.44) | .500 (12.70) | .766 (19.46) | 1.094 (27.79) | 11/16-24 |
| 14 | .969 (24.61) | .578 (14.68) | .891 (22.63) | 1.156 (29.36) | 13/16-20 |
| 16 | 1.094 (27.79) | .641 (16.28) | 1.016 (25.81) | 1.219 (30.96) | 15/16-20 |
| 18 | 1.219 (30.96) | .688 (17.48) | 1.141 (28.98) | 1.344 (34.14) | 1 1/16-18 |
| 20 | 1.344 (34.14) | .734 (18.64) | 1.265 (32.13) | 1.469 (37.31) | 1 3/16-18 |
| 22 | 1.469 (37.31) | .796 (20.22) | 1.391 (35.33) | 1.594 (40.49) | 1 5/16-18 |
| 24 | 1.594 (40.49) | .859 (21.82) | 1.516 (38.51) | 1.719 (43.66) | 1 7/16-18 |



NOTES:

- 1.METRIC DIMENSIONS (mm) ARE IN PARENTHESES.
- 2.FOR COMPLETE DIMENSIONS, SEE THE APPLICABLE MILITARY SPECIFICATION.
- 3.MATERIAL: ALUMINUM ALLOY IN ACCORDANCE WITH AS85049.

